



EUROLabWorkstation IFA

Full automation of indirect immunofluorescence

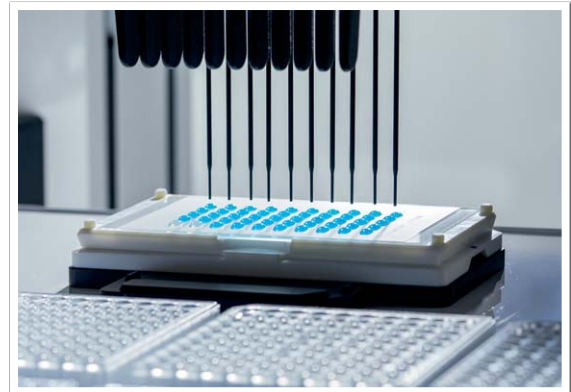


- Fully automated processing of indirect immunofluorescence assays: up to 750 reaction fields per run
- The highest throughput system on the market: > 200 tests per hour
- Automatic mounting of slides
- Flexible loading of samples and reagents
- Automatic identification of patient samples, reagents, slides and dilution plates – 100% traceability
- Economical and precise pipetting with 10 washable needles
- Convenient and intuitive operation
- Excellent service – reagents, instruments and software from one manufacturer



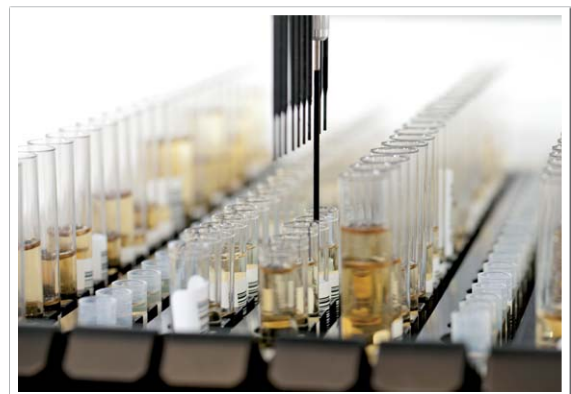
Workflow optimisation

- 45 tracks for freely selectable loading with sample and reagent racks as well as dilution plates
- Parallel processing of slides with 10 and 50 reaction fields
- Spatial separation of the liquid handling and the processing of indirect immunofluorescence assays enables parallel flows
- Ready-for-use and barcoded reagents
- Fully automated washing and mounting of slides



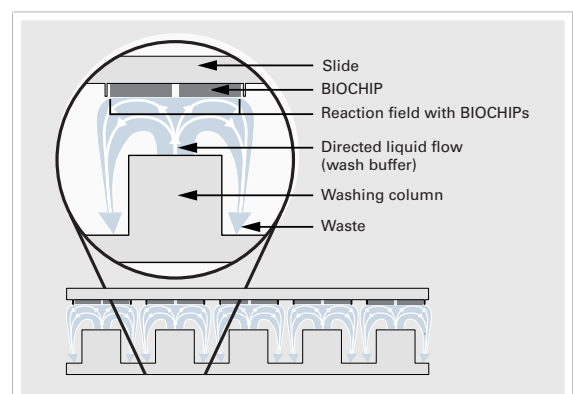
Precise and efficient pipetting

- 10 coated stainless steel needles and precision pumps for high pipetting accuracy
- Optimised process efficiency due to economical routes
- Pipetting without carryover through efficient needle washing
- Secure pipetting procedure owing to liquid level and clot detection
- Multishot function for the dispensing of samples and reagents



Innovative washing technology

- Fully automated washing of IFA slides using a directed and controlled liquid flow: MERGITE! washing technology
- No cross-contamination due to separate washing of each field
- Two integrated washing units for slides with 10 and 50 reaction fields
- Integrated washing unit for fully automated cleaning of reagent trays
- Automatic dispensing of mounting medium





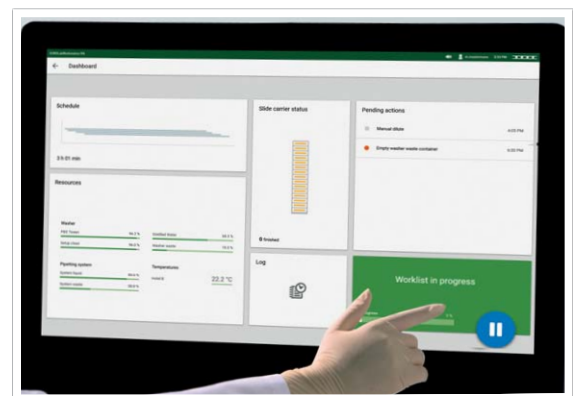
Convenient operation

- Touch-screen PC with intuitive graphic user interface
- Easy starting of user-specific worklists
- ID-based memory function enables flexible and complete use of dilution plate cavities
- Software-supported maintenance with minimum time expenditure
- Removal of mounted slides from system for subsequent microscopy without interruption of running processes



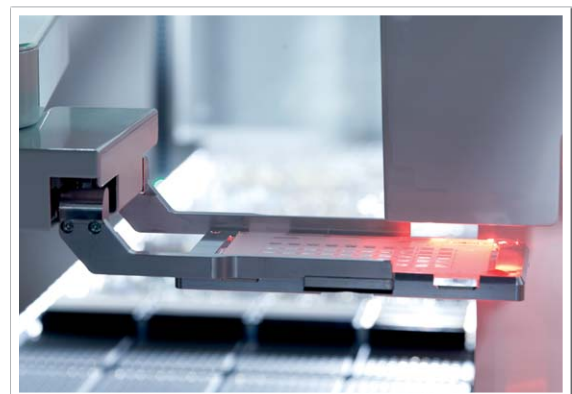
Overview of the process status

- Convenient system overview with detailed status information on run times, resources and slides
- Clear presentation of time processes of the current run
- Exact time information on pending actions for improved planning efficiency



Process safety from A-Z

- Software access with different user accounts and rights
- Transparent traceability of all data entries and changes
- Gapless allocation of test results to the samples and reagents used
- Complete data acquisition by means of integrated bar-code scanner for samples, reagents, dilution plates, slides, reagent trays and cover glass holders





EUROLabWorkstation IFA

Unique system for full automation of IFA owing to a combination of the proven TITERPLANE Technique (standardised incubation) with MERGITE! (an innovative technology for washing in IFA) and automatic mounting of slides.

The EUROLabWorkstation IFA is designed for middle-sized and large laboratories due to its capacity and sample throughput.



System

Number of patient samples.....	> 700
Sample material	serum, plasma and CSF
Slides	up to 750 reaction fields (combination of slides with 10 and 50 reaction fields possible)
Size of sample tubes.....	outer diameter 10–16 mm, height up to 100 mm
Throughput.....	> 200 analyses per hour
Barcode recognition	automated registration of samples, reagents, dilution plates, slides, reagent trays and cover glass holders; import of QC data via 2D barcode hand scanner

Pipetting unit

Pipettor	10 washable stainless steel needles with capacitive liquid level and clot detection
Pipetting volume	5–1100 µL in 1-µL steps
Precision	CV < 10% at 10 µl, CV < 1% at 100 µl, CV < 1% at 1000 µL

Robotic platform

Slide washing unit.....	one each for slides with 10 and 50 reaction fields
Reagent tray washing unit.....	5 dispensing needles and 11 aspiration needles
Mounting medium.....	automated dispensing via reagent tray washing unit
Liquid level alarm.....	continuous control in wash buffer and waste containers

Features

Operating system	Microsoft Windows 10 Enterprise 2019 LTSC (64 bits), PC with touch-screen
Bidirect. communication	ASTM via EUROLabOffice
Languages	English, German, French
Electrical data.....	100–240 V, 50/60 Hz, 800 VA
Dimensions/weight.....	approx. 2899 mm x 812 mm x 861 mm (WxDxH) / approx. 450 kg